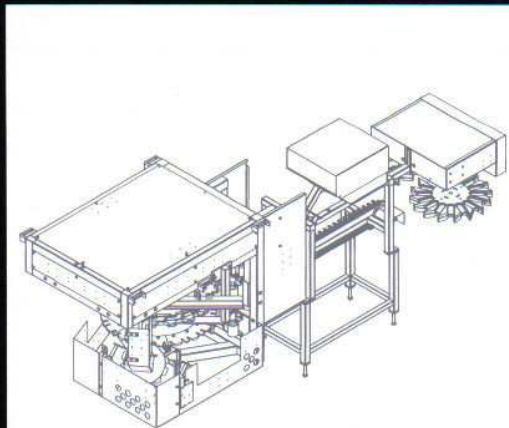
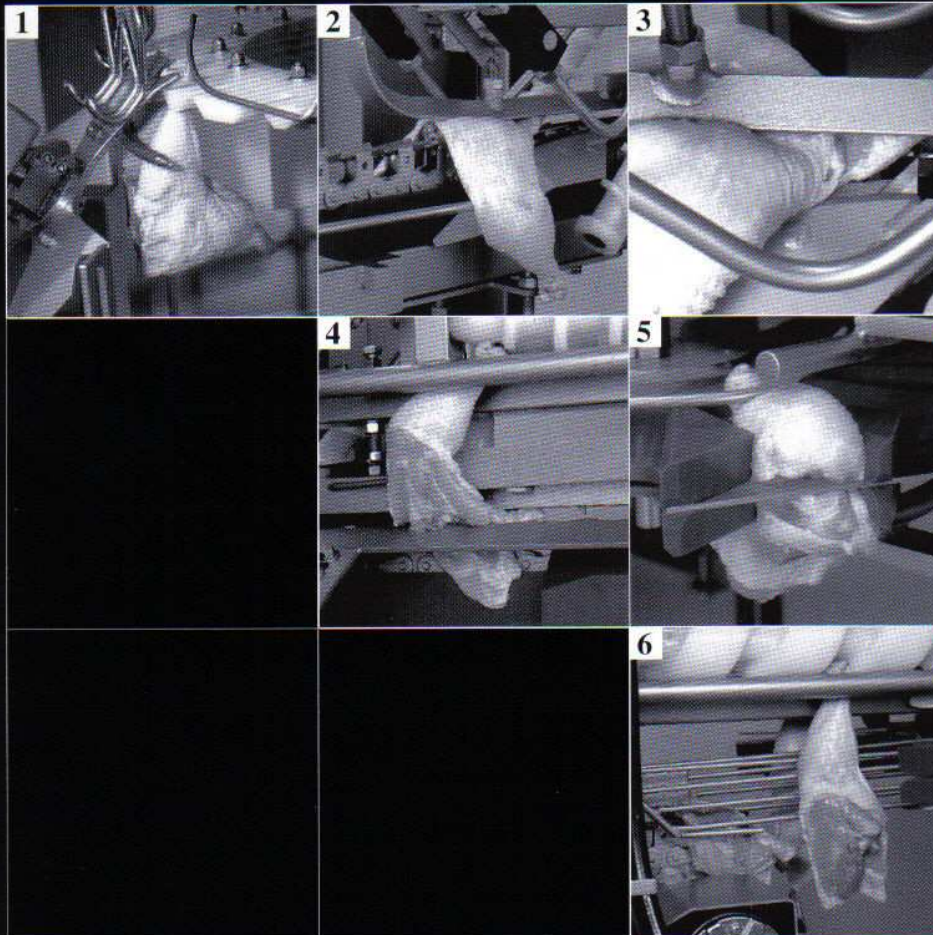


# Autoloading Leg Processor

The Foodcraft Autoloading Leg Processor automatically removes the saddle from the overhead line and cuts the saddle into the cuts required by the customer. Operating at speeds exceeding 90 bpm, the Autoloading Leg Processor achieves 98% "A" grade cuts while maximizing yield from the saddle cuts. Backs, thighs and drums can be effectively separated left from right into product chutes for packout.



- 1** Line transfer
- 2** Loading the Leg Processor
- 3** Cutting from the inside out
- 4** Pulling the back out
- 5** Splitting the thigh and drum
- 6** Producing whole leg



# Specifications

Model	LPAL/LPI-LS1	
Length	6' 8"	2.03 m
Width	5' 0"	1.52 m
Height	4' 2"	1.27 m
Electric	110 VAC	
Hydraulic	8 GPM @ 900 PSI	

The FoodCraft Autoloading Leg Processor Model LPAL/LPI-LS1 has been designed to produce the cuts required by the customer. The Autoloading Leg Processor features quick adjustment to produce product from leg quarters to split thighs and drums.

The Model LPAL/LPI-LS1 has been proven over time to produce the highest cuts available in the market today. As with all of FoodCraft's equipment, the Autoloading Leg Processor incorporates all of the latest safety features.

The FoodCraft Autoloading Leg Processor has been engineered and designed to maximize yield and minimize labor and maintenance costs. It is backed by FoodCraft craftsmen and factory service representatives dedicated to only the best.

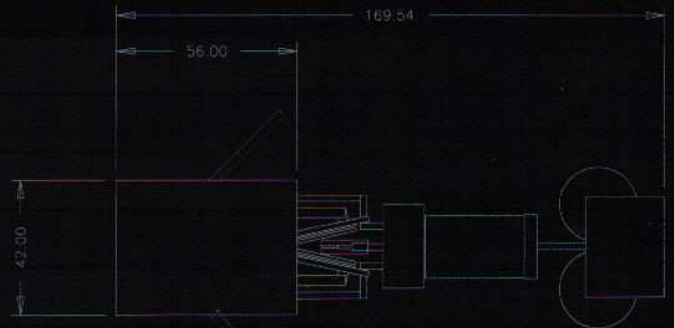
FoodCraft sets the standard for poultry processing equipment with the FoodCraft Hi-Flex Automated Cut-Up System. FoodCraft's sales engineers can design a customized product flow to meet your particular requirements. For more information, contact your local FoodCraft sales representative or contact us directly at:



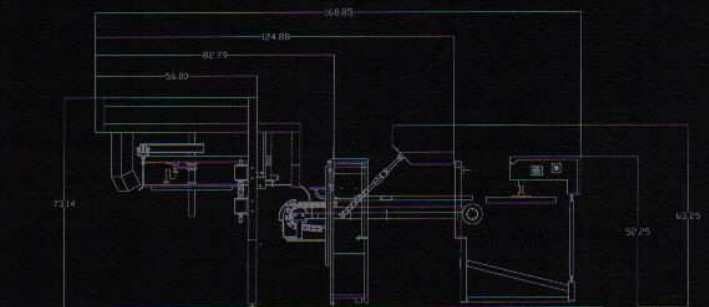
Phone: 785/267-9400 800/344-2473 Fax: 785/267-9421  
 Web: www.foodcraft.net E-Mail: realpeople@foodcraft.net

FoodCraft Equipment Co., Inc., 4225 S. Kirklawn  
 Topeka, KS USA 66609

PLAN VIEW



ELEVATION VIEW



For clarity, illustrations may not include all guards and safety devices.