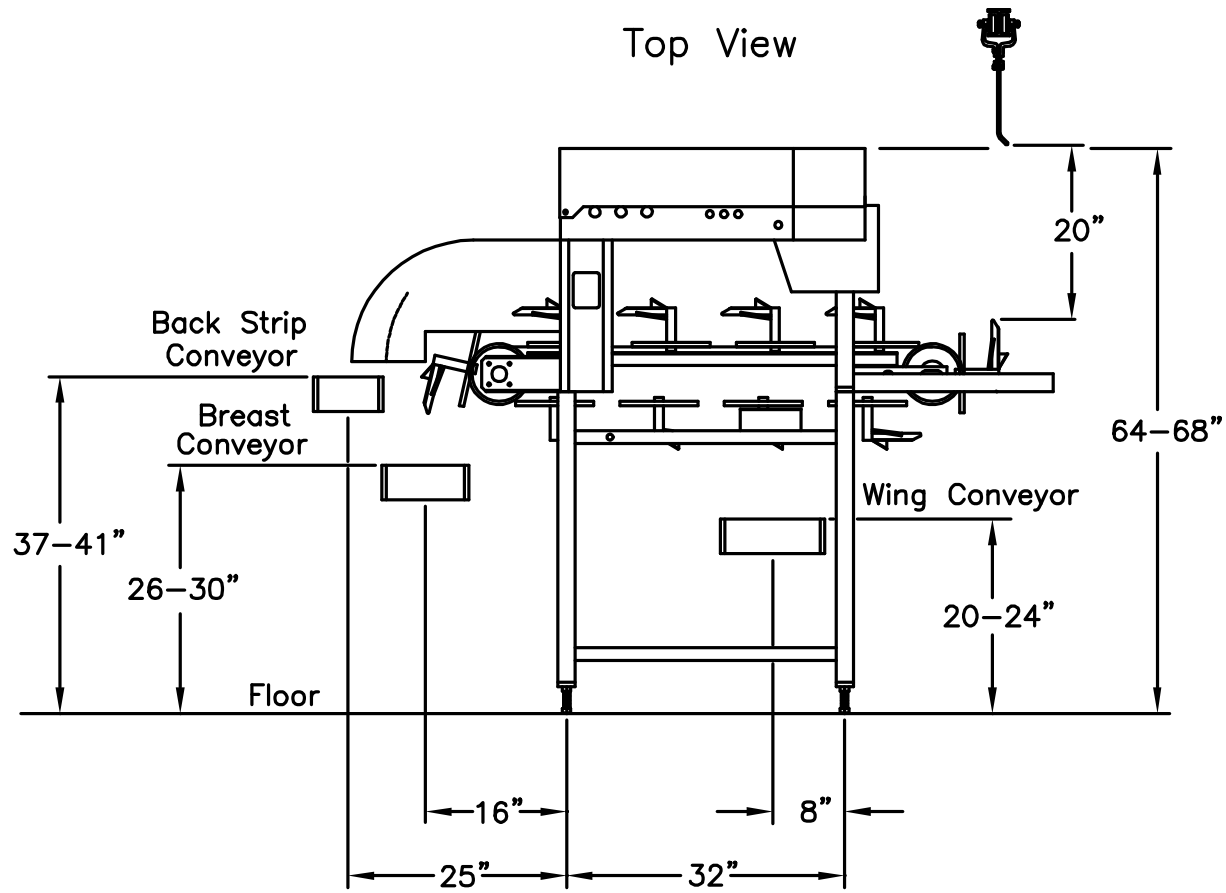


Top View



Left Hand Side View