



The Chicken Breast Processor

The FoodCraft Breast Processor, Model BP-1, is designed to further process the front half of the chicken after being halved.

The Breast Processor infeed mechanism is designed to assure consistent loading alignment enabling a single operator per machine to load at a rate of 35-40 birds per minute.

Designed to allow for a variety of operations by adding or taking away blade functions, a standard Breast Processor will cut wings, cut out the back strip, split the back, split the breast or perform any other combination of these cuts.

Yields are enhanced by the precise wing joint cut and by removing the back strip while leaving as many ribs as possible on the breast.

Each machine is powered hydraulically and requires a 110V control circuit. Stainless steel and UHMW/nylon are used throughout the construction to give the ultimate in appearance and satisfy the most stringent sanitary requirements with minimal maintenance costs.

The FoodCraft Breast Processor is engineered, designed and manufactured by craftsmen dedicated to quality, service and reliability and backed by highly trained factory and field service representatives dedicated to the highest level of customer support.





FoodCraft Equipment Co., Inc.
53 Industrial Circle, Lancaster, PA 17601
Phone 717-656-0401
Fax 717-656-0549

CHICKEN BREAST PROCESSOR
MODEL BP-1

**American Made to Meet
American Standards**

The Chicken Breast Processor is engineered to exact quality standards and constructed with durable stainless steel and aluminum.

**Consistent Performance
and Results**

The Breast Processor is fully tested prior to shipping to ensure that every customer receives a flawless product capable of producing consistent results for many years to come.

FEATURES

- Stainless Steel and Aluminum Construction
- USDA Approved Materials Used
- All Components Fully Tested Prior to Shipping
- High Quality OEM Replacement Parts
- Highly Trained, Seasoned Service Personnel Strategically Located for Prompt Response
- FoodCraft Carries a Complete Stock of Parts and Components for Every Machine We Manufacture

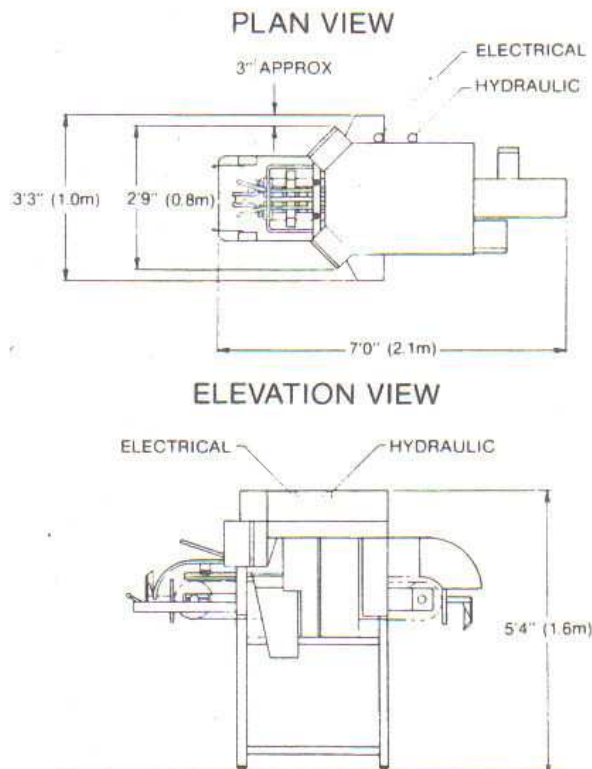
SPECIFICATIONS

Dimensions

- Overall Length 7'0" (2.1m)
- Overall Width 3'3" (1.0m)
- Overall Height 5'4" (1.6m)

Utility Requirements

- **Electric**
120 Volts /60 HZ Control Circuit
- **Hydraulic**
18 GPM @ 1100 PSI



Drawings are for layout purposes only.