



# *The machine that solves your special picking needs ... the Straddle Picker*

The "New Six Foot Straddle Picker" was engineered with an emphasis on quality, efficiency, and all around dependability.

A single picker used to perform one distinct function, that's the beauty of the Straddle Picker.

The **Straddle Picker** is engineered, designed and manufactured by craftsmen dedicated to quality, service and reliability and backed by highly trained factory and field service representatives dedicated to providing only the highest level of customer support.





FoodCraft Equipment Co., Inc.  
 53 Industrial Circle, Lancaster, PA 17601  
 Phone 717-656-0401  
 Fax 717-656-0549

6' STRADDLE PICKER  
 MODEL SP-2000

### American Made to Meet American Standards

The Straddle Picker is engineered to exact quality standards and constructed with durable stainless steel and aluminum.

### Consistent Performance and Results

Each gearbox on the Straddle Picker is fully tested prior to shipping to ensure that every customer receives a flawless product capable of producing consistent results for many years to come.

#### FEATURES

- Stainless Steel and Aluminum Construction
- USDA Approved Materials Used
- Built-In Hydraulic System
- All Components Fully Tested Prior To Shipping
- High Quality OEM Replacement Parts
- Highly Trained, Seasoned Service Personnel Strategically Located for Prompt Response
- FoodCraft Carries a Complete Stock of Parts and Components for Every Machine We Manufacture

#### SPECIFICATIONS

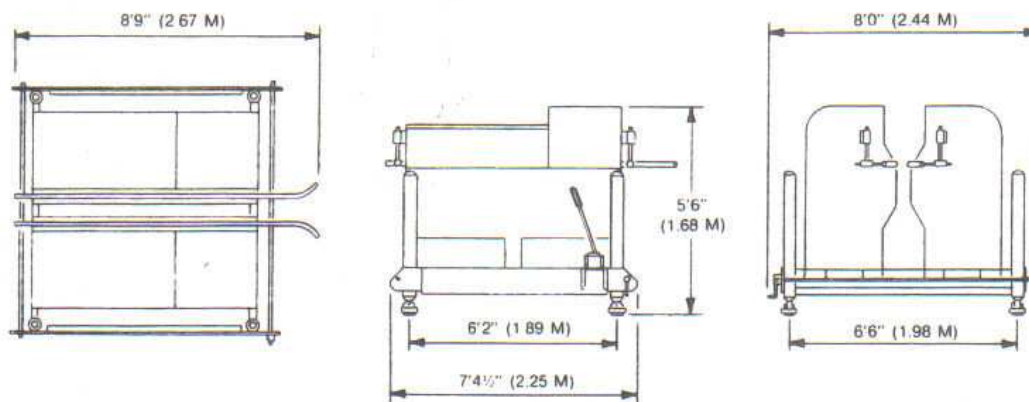
##### Dimensions

- Overall Length ..... 7'4½" (2.25m)
- Overall Width ..... 8'0" (2.44m)
- Overall Height ..... 5'6" (1.68m)

##### Utility Requirements

- **Electric**  
 2 - 3 HP/240-480V, 60 HZ, 3 PH/1750 RPM
- **Water**  
 2 - 1" Drops @ House Pressure  
 55-60° - Regular Scald / 90° - Hard Scald

6' STRADDLE PICKER



Drawings are for layout purposes only.