



No other picker matches ...the Roto Flex RF-6

The counter-rotating drums of the RF-6, including the special hock picking drums, are unique. . . one set picks up, one set picks down—the most effective way! You can lower your scalding temperature to save energy and up-grade bird quality.

The design of the Roto Flex also cuts maintenance. . . the frame and legs are *all stainless steel* with aluminum side rails for easier washing and longer life. . . there are fewer belts, all-gear drives, and fewer motors driving more drums. Blood and feathers are sealed out of the drive system, and you can even replace a motor without down time!

The Roto Flex Picker is engineered, designed and manufactured by craftsmen dedicated to quality, service and reliability and backed by highly trained factory and field service representatives dedicated to the highest level of customer support.





FoodCraft Equipment Co., Inc.
53 Industrial Circle, Lancaster, PA 17601
Phone 717-656-0401
Fax 717-656-0549

**POULTRY ROTO FLEX PICKER
MODEL RF-6**

**American Made to Meet
American Standards**

The Roto Flex Picker is engineered to exact quality standards and constructed with durable stainless steel and aluminum.

**Consistent Performance
and Results**

Each gearbox on the Roto Flex Picker is fully tested prior to shipping to ensure that every customer receives a flawless product capable of producing consistent results for many years to come.

FEATURES

- Stainless Steel and Aluminum Construction
- USDA Approved Materials Used
- Built-In Hydraulic System
- All Components Fully Tested Prior To Shipping
- High Quality OEM Replacement Parts
- 16 Counter-Rotating Gearboxes
- Highly Trained, Seasoned Service Personnel Strategically Located for Prompt Response
- FoodCraft Carries a Complete Stock of Parts and Components for Every Machine We Manufacture

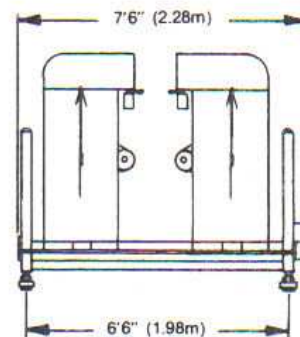
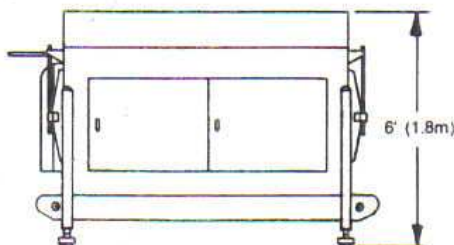
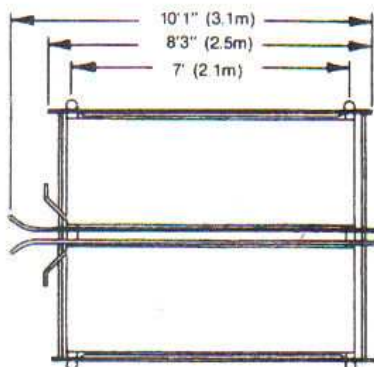
SPECIFICATIONS

Dimensions

- Overall Length 8'3" (2.5m)
- Overall Width 7'6" (2.28m)
- Overall Height 6'0" (1.8m)

Utility Requirements

- **Electric**
10 - 3 HP/230-460V, 60 HZ, 3 PH/1740 RPM
2 - 5 HP/220-460V, 60 HZ, 3 PH/1740 RPM
- **Water**
2 - 1" Drops @ House Pressure
55-60° - Regular Scald / 90° - Hard Scald



Drawings are for layout purposes only.