



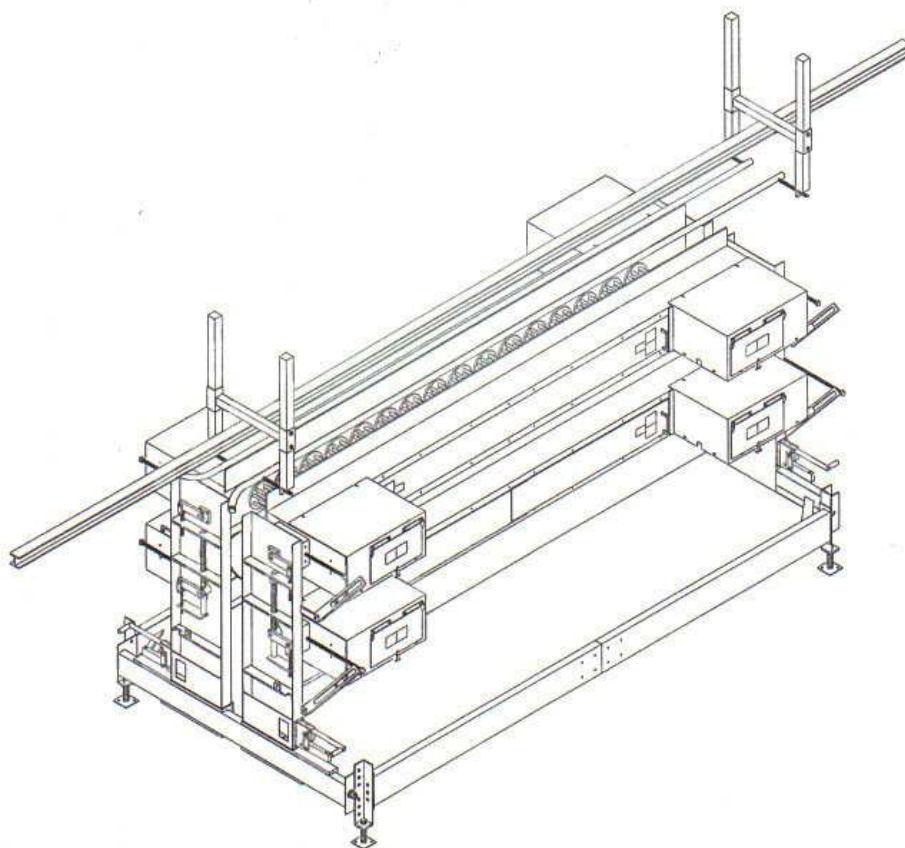
## ***FoodCraft's answer to high maintenance costs ...the Econo Flex EF-2000***

The FoodCraft Econo-Flex Picker, Model EF-2000, is a four-bank picker that can be used in either the primary or the finishing position. The EF-2000 easily adjusts to accommodate various flock sizes and picking requirements.

Each bank of the Econo Flex can be independently adjusted and the picking configuration can be precisely set based on bird size. This degree of flexibility allows for maximum feather removal with minimal bird damage.

A unique clam shell design allows each bank to tilt open for easy accessibility to the picking fingers and the drive belts. With the EF-2000, cleaning and maintenance become quick and easy.

The Econo Flex Picker is engineered, designed and manufactured by craftsmen dedicated to quality, service and reliability and backed by highly trained factory and field service representatives dedicated to providing only the highest level of customer support.



ECONO FLEX PICKER  
 MODEL EF-2000

**American Made to Meet  
 American Standards**

The Econo Flex Picker is engineered to exact quality standards and constructed with durable stainless steel and aluminum.

**Consistent Performance  
 and Results**

Each bank on the EF-2000 Picker is fully tested prior to shipping to ensure that every customer receives a flawless product capable of producing consistent results for many years to come.

**FEATURES**

- Stainless Steel and Aluminum Construction
- USDA Approved Materials Used
- Built-in Hydraulic System
- All Components Fully Tested Prior to Shipping
- High Quality OEM Replacement Parts
- 64 Counter-Rotating Picking Discs
- Highly Trained Service Personnel Strategically Located for Prompt Response
- FoodCraft Carries a Complete Stock of Parts and Components for Every Machine We Manufacture

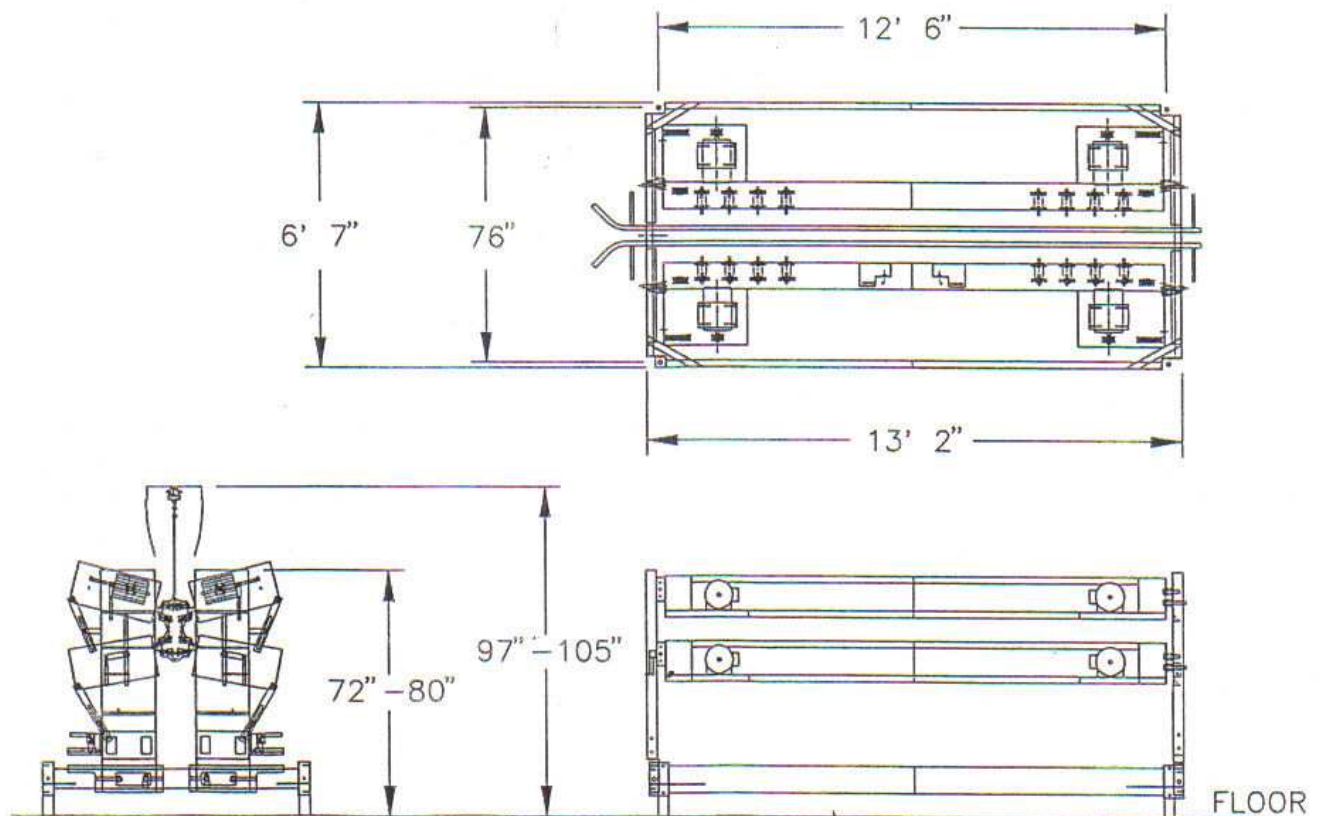
**SPECIFICATIONS**

**Dimensions**

- Overall Length ..... 13'2" (4.0m)
- Overall Width ..... 6'7" (2.0m)
- Overall Height ..... 6'6" (1.9m)

**Power Requirements**

- **Electric**  
 8 - 5 HP/230-460V, 60 HZ; 3 PH/1750 RPM
- **Water**  
 2 - 1" Drops @ House Pressure
- **Temperature**  
 55-60° - Regular Scald / 90° - Hard Scald



Drawings are for layout purposes only.