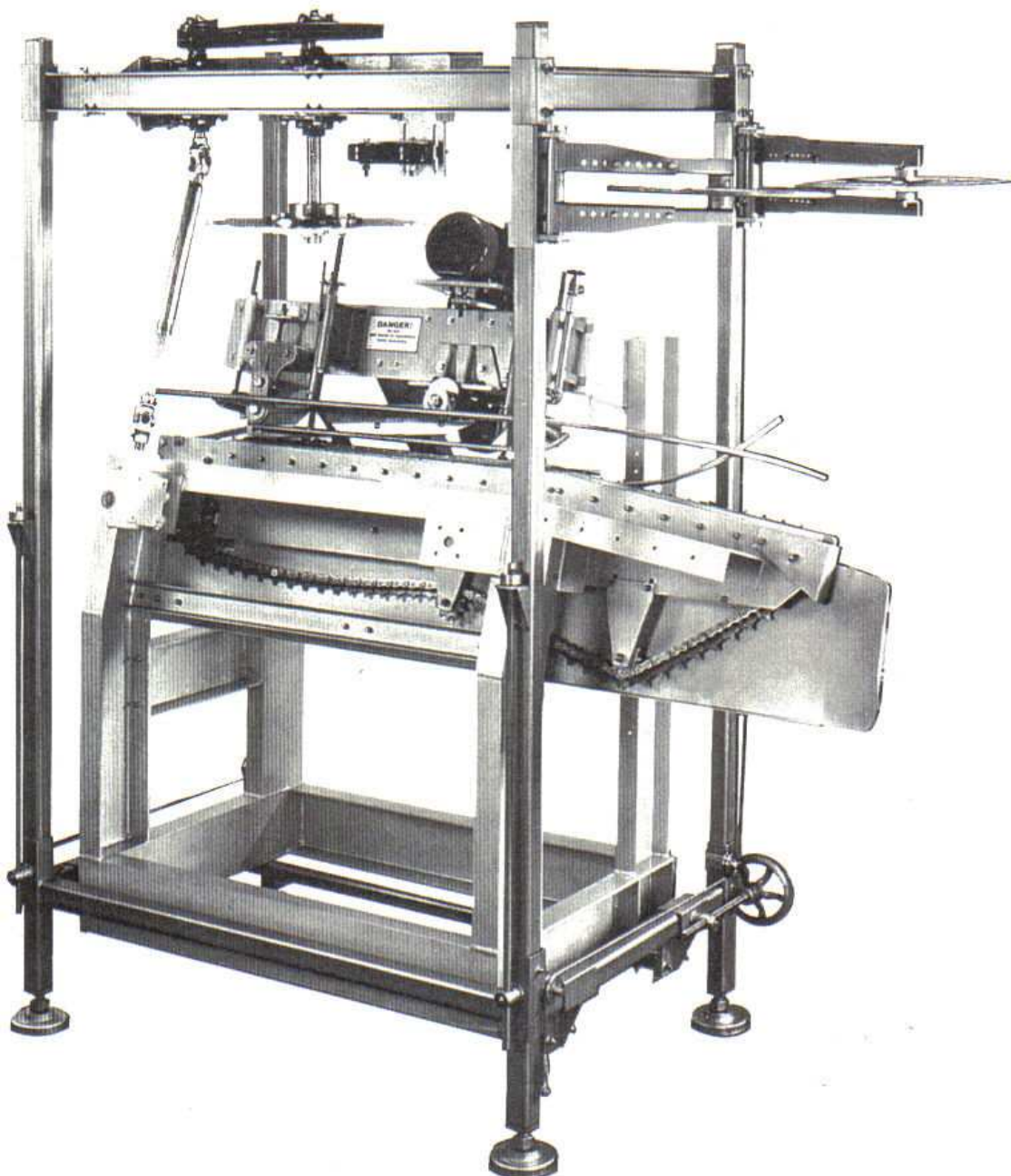




Increase your line speed with the Hock-A-Matic VIB

Rugged Construction - Heavy stainless steel and aluminum components combined with a stainless steel frame assure easy cleaning and minimal maintenance.

Perfect Timing - The Hock-A-Matic synchronizes perfectly with your line speed up to 200 broilers per minute or 100 turkeys per minute. It's gear driven and runs directly off the overhead track to assure smooth operation at high speeds with less energy.



Precise Cut - An elliptically oscillating stainless steel blade positions hocks correctly, produces a precise clean cut and separates hocks without waste and/or breakage. Unscheduled down time is practically eliminated.

Accurate Positioning - The positive-positioning chain places hock joints under the blade and the stainless steel guides bend hocks to the proper angle for exact blade contact.

Adjustments - Vertical adjustments are quick and easy to size to any bird, from light fowl to large turkeys. The horizontal adjustments allow exact conveyor and shackle fit.

Manufacturing Excellence - The Hock-A-Matic VIB is engineered, designed and manufactured by craftsmen dedicated to quality, service and reliability and backed by highly trained factory and field service representatives dedicated to the highest level of customer support.

**POULTRY HOCK-A-MATIC VIB
 MODEL HAM-6B**

**American Made to Meet
 American Standards**

The Hock-A-Matic is engineered to exact quality standards and constructed with durable stainless steel and aluminum.

**Consistent Performance
 and Results**

The drive components and oscillating blade on the Hock-A-Matic are fully tested prior to shipping to ensure that every customer receives a flawless product capable of producing consistent results for many years to come.

FEATURES

- Stainless Steel and Aluminum Construction
- USDA Approved Materials Used
- All Components Fully Tested Prior To Shipping
- High Quality OEM Replacement Parts
- Line Driven
- Line Emergency Stop Button
- Spring-Activated Micro-Switch Can Stop the Entire Line to Prevent Machine Damage Due to Shackle Hang-Up
- Highly Trained, Seasoned Service Personnel Strategically Located for Prompt Response
- FoodCraft Carries a Complete Stock of Parts and Components for Every Machine We Manufacture

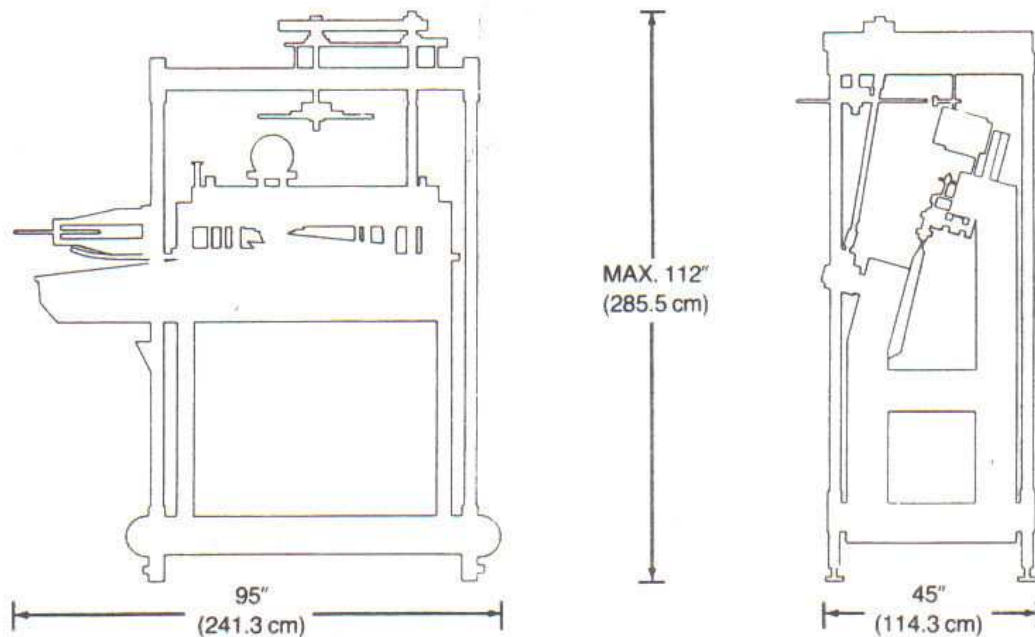
SPECIFICATIONS

Dimensions

- Overall Length 7'11" (2.41m)
- Overall Width 3'9" (1.14m)
- Overall Height 10'2" (2.85m)

Utility Requirements

- **Electric**
 1 HP/1750 RPM
- **Water**
 3/4 Hose Fitting



Drawings are for layout purposes only.

Notes:

- Minimum distance from bottom of shackle to the floor is 59" (1.49m).
- Maximum from top of track to bottom of shackle is 43" (1.09m).
- Leg extensions must be ordered when the distance from top of track to floor exceeds 102" (2.59m).
- Track type must be specified to determine drive system.